

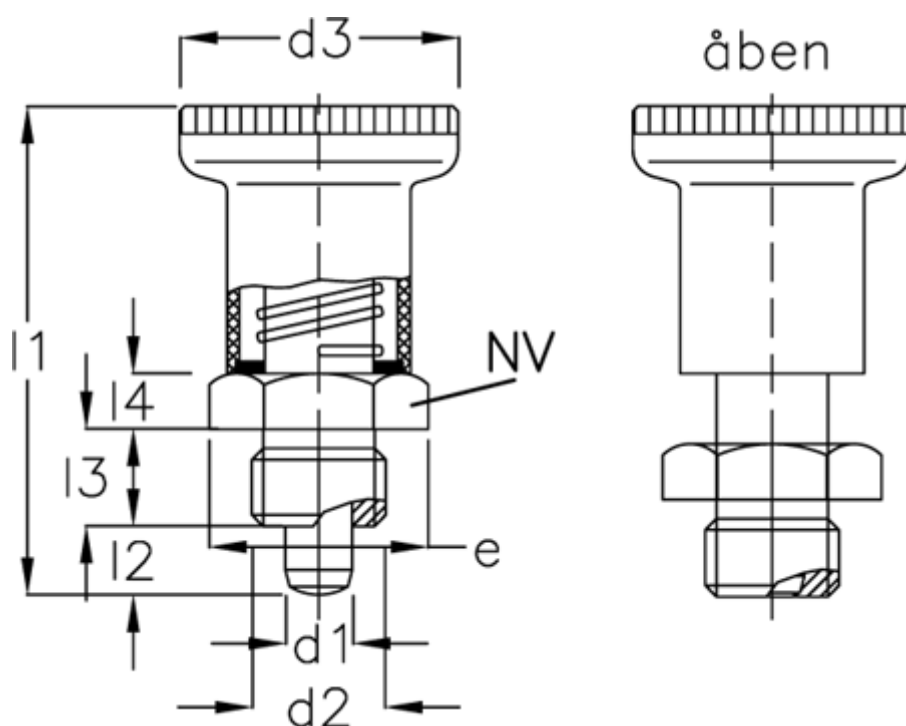
Data Sheet



Article number: 20010002

Description: E+G Indexing plunger
GN 607-6-A

Measures



AL = 400	l4	= 5
d1 = 6	NV	= 17
d2 = M12x16	Spring pressure N bottom	= 22
d3 = 25	Spring pressure N top	= 8.5
e = 19.6		
l1 = 45		
l2 = 6		
l3 = 10		